



ATLAS MARINE SYSTEMS



## POWER CONDITIONER **AutoSHORE®** 30kVA

The AutoSHORE provides voltage regulation as well as electrical isolation from the shore. The voltage provided to the yacht from the dock pedestal can vary greatly throughout the day due to the load demands of other yachts on the same quay. At peak times this change could be as much as 20% from the nominal voltage. This fluctuation in voltage can cause damage to onboard equipment such as pumps, air-conditioning compressors and electronic equipment resulting in expensive repair costs.

The AutoSHORE protects the vessel by regulating the voltage from the dock, preventing any dock fluctuations from reaching the onboard loads. The unit is fully automatic and is microprocessor controlled, continually monitoring the dock voltage. If a large fall in voltage occurs typically due to storms the system will automatically disconnect the output to protect the yacht.

Another important feature of the AutoSHORE is its ability to automatically connect to high voltage as well as low voltage. A typical marina may have limited low voltage single phase available but by connecting to two of the phases of a high voltage three phase supply the amount of power available from the dock is almost doubled.

The unit's remote interface allows the dock voltage and load to be monitored.

### **STANDARD FEATURES**

- REGULATED OUTPUT TO  $\pm 3\%$
- AUTOMATICALLY CONVERTS LOW OR HIGH SHORE VOLTAGES
- GFCI SHORE BREAKER COMPATIBLE
- PROTECTION AGAINST EXCESSIVE LOW AND HIGH SHORE VOLTAGES
- BUILT-IN ELECTRICAL ISOLATION
- COMPACT AND LIGHTWEIGHT DESIGN
- MICROPROCESSOR CONTROLLED
- REMOTE MONITORING INTERFACE
- STATUS INDICATORS
- STUD TYPE POWER CONNECTIONS
- INPUT EMERGENCY POWER OFF (EPO)
- SOFT START CIRCUIT LIMITS INRUSH CURRENT

This product was manufactured in a plant whose quality management system is registered to ISO 9001:2015.

Atlas Marine Systems • 1801 S. Perimeter Rd • Ft Lauderdale, FL 33309  
Sales: +1-954-735-6767 • Service: +1-214-343-7587 • Fax: +1-954-735-7676  
info@AtlasMarineSystems.com • www.AtlasMarineSystems.com

## INPUT

LOW VOLTAGE RANGE	187 TO 264 VOLTS
HIGH VOLTAGE RANGE	342 TO 514 VOLTS
PHASE	SINGLE PHASE ONLY
FREQUENCY	45 - 66 HZ
PROTECTION	OVER/UNDER VOLTAGE, LOSS OF PHASE, AND OVER CURRENT

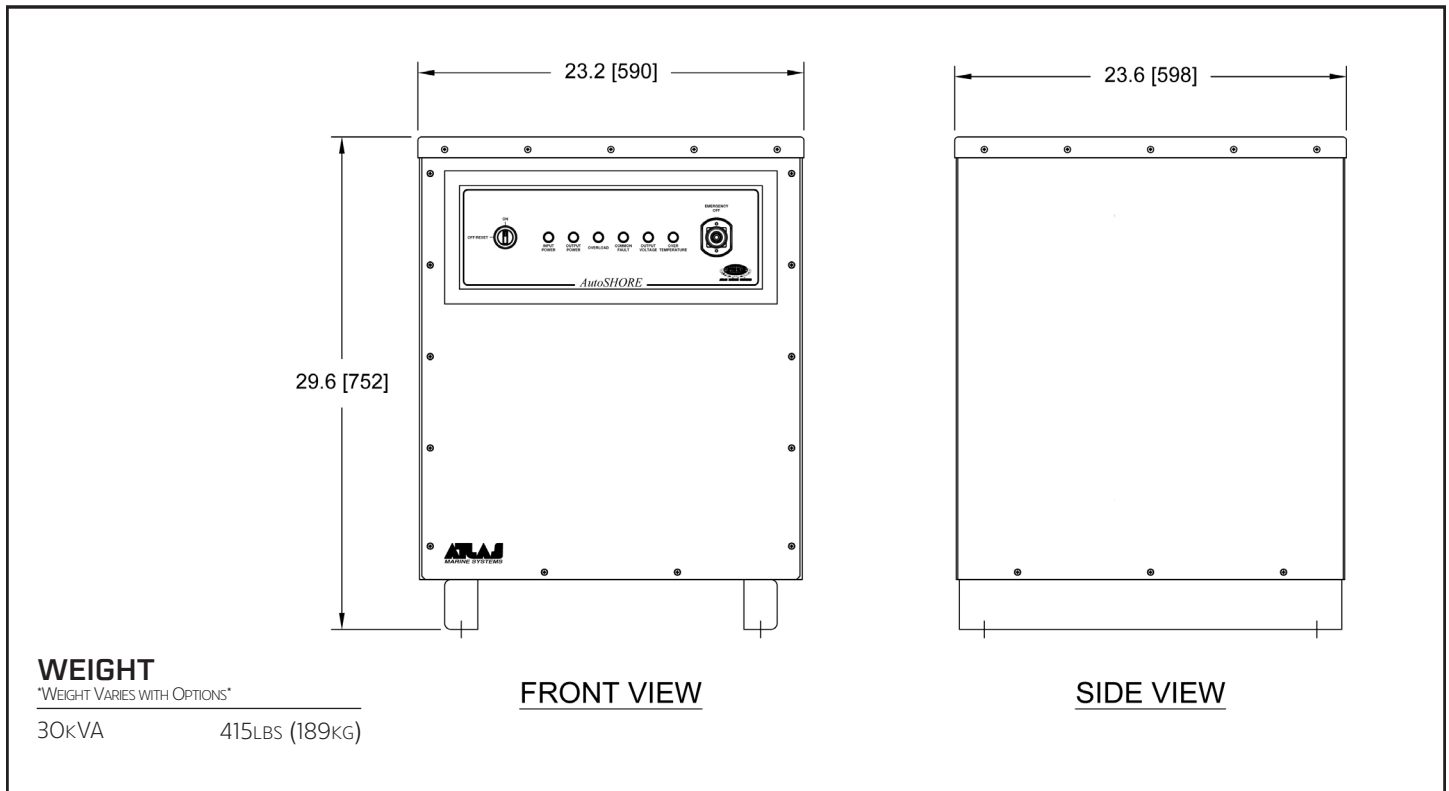
## ENVIRONMENTAL

TEMPERATURE RANGE	0°C TO +50°C
RELATIVE HUMIDITY	0 - 95%, NON-CONDENSING
INGRESS PROTECTION	IP23
ENCLOSURE	NEMA 250, TYPE 3RX CORROSION RESISTANT

## OUTPUT

POWER RATING	30 kVA
OVERLOAD	100% CONTINUOUS 110% FOR 60 MIN 150% FOR 1 MIN 200% FOR 6 SEC
VOLTAGE (SPECIFY)	230, 240 VOLTS 115/230, 120/240 VOLTS GROUNDED NEUTRAL
EFFICIENCY	>97%
VOLTAGE REGULATION	± 3%
PHASE IMBALANCE	NO RESTRICTION
FREQUENCY	45 - 66 HZ
PROTECTION	ALL STANDARD ELECTRICAL AND ENVIRONMENTAL MONITORING FOR EQUIPMENT AND LOAD PROTECTION

**FIGURE 1 – AutoSHORE 30kVA**



SPECIFICATIONS SUBJECT TO CHANGE WITHOUT NOTICE

REV L

This product was manufactured in a plant whose quality management system is registered to ISO 9001:2015.

Atlas Marine Systems • 1801 S. Perimeter Rd • Ft Lauderdale, FL 33309  
Sales: +1-954-735-6767 • Service: +1-214-343-7587 • Fax: +1-954-735-7676  
info@AtlasMarineSystems.com • www.AtlasMarineSystems.com